

TRANSFLUID



TRANSFLUID

trasmissioni industriali

QUALITY AS A STANDARD

Established since 1957 Transfluid is today a market leader in the field of industrial power transmission and associated components.

Apart from often being required to find specific solutions to costumers' individual problems, we also have a complete range of standard products.

The Transfluid product range includes:

- fluid and flex couplings
- variable speed drive
- clutches and brakes
- elastic couplings
- hybrid transmissions
- electric machines
- power shift transmissions
- power Take-Offs for marine and industrial engines
- torque control products

Quality is the main feature of the Transfluid product range and is achieved by:

- professional expertise supported by advanced technology
- precise monitoring and checking at each production stage
- final assembly checking and product testing prior to despatch to the customer

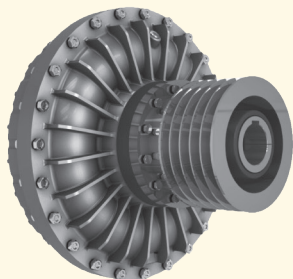
Transfluid involvement extends from first customer contact, to design and production, and throught full field support.

drive with us

POWER TRANSMISSION EQUIPMENT

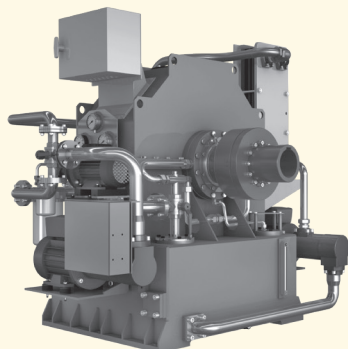
**FLUID COUPLING
K & KX**

Oil or water constant fill
Up to 2500 kW



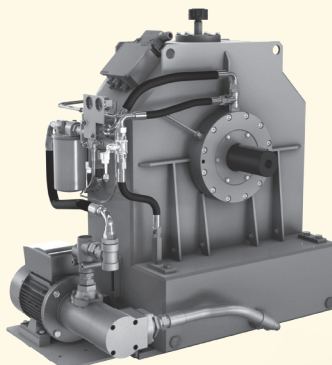
**FLUID COUPLING
KSL**

Start up and variable
speed drive
Up to 4000kW



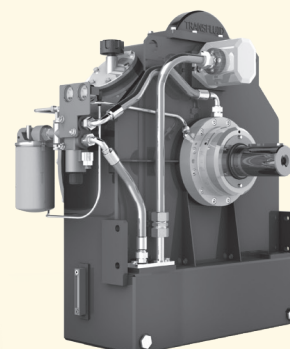
**FLUID COUPLING
KPT**

Start up and variable
speed drive
Up to 1700kW



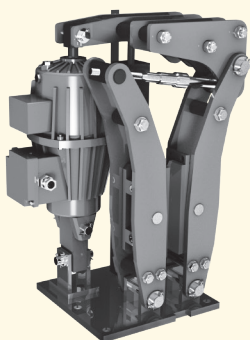
**FLUID COUPLING
KPTO**

For internal combustion engine
P.T.O. for pulley and cardan shaft
Up to 1000kW



**DISC AND DRUM BRAKE
NBG/TFDS**

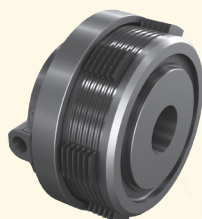
Up to 19000 Nm



**AIRAD HYDRAULIC CLUTCH
HYDRAULIC BRAKE**

TPO-SHC-SL

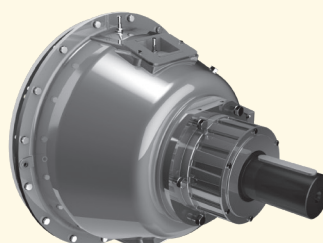
Up to 16800 Nm
Up to 2500 Nm
Up to 9000 Nm



**OIL OPERATED POWER
TAKE OHH**

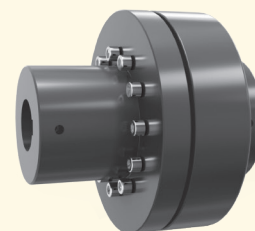
HF

Up to 1300 kW



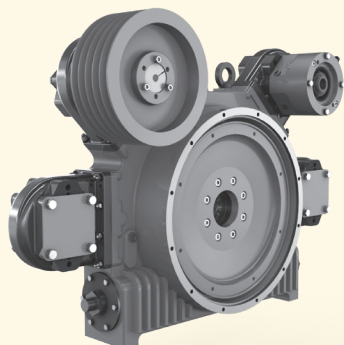
**FLEXIBLE COUPLING
BM - B3M**

Up to 33100 Nm



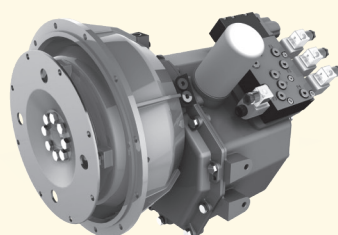
**MULTI PUMP DRIVE
STELLADRIVE**

Up to 1300 kW



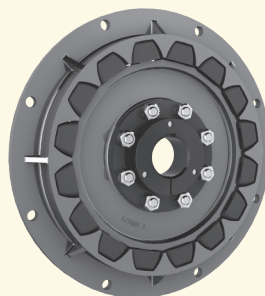
**POWER SHIFT
TRANSMISSION**

With torque converter
Up to three speeds
Electric selector
Up to 95 kW



**ELASTIC COUPLING
RBD**

For internal combustion engine
Up to 16000 Nm



**HYBRID MODULE &
ELECTRIC MACHINE**

Combustion engine
Up to 1100 kW
and 75 kW electric

